

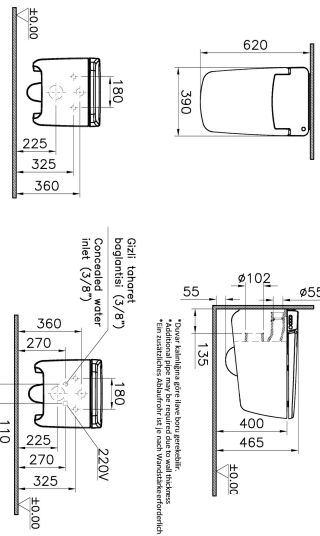
Name	V-Care Prime Rim-Ex Wall Hung WC
Collection	V-Care Prime
Color	White
Designer	Arik Levy
Certificate	EPD



Product Code: 7231B403-6216

Description

With Bidet Function, White



VitrA reserves the right to make changes in products and technical details without prior notice.

All drawings contain the necessary measurements which are subject to standard tolerances. For exact measurements, in particular for customized installation scenarios, it can only be taken from the finished ceramic product.